



Way of Life!



BURGMAN

Craftmanship, Technology & Quality



Way of Life!

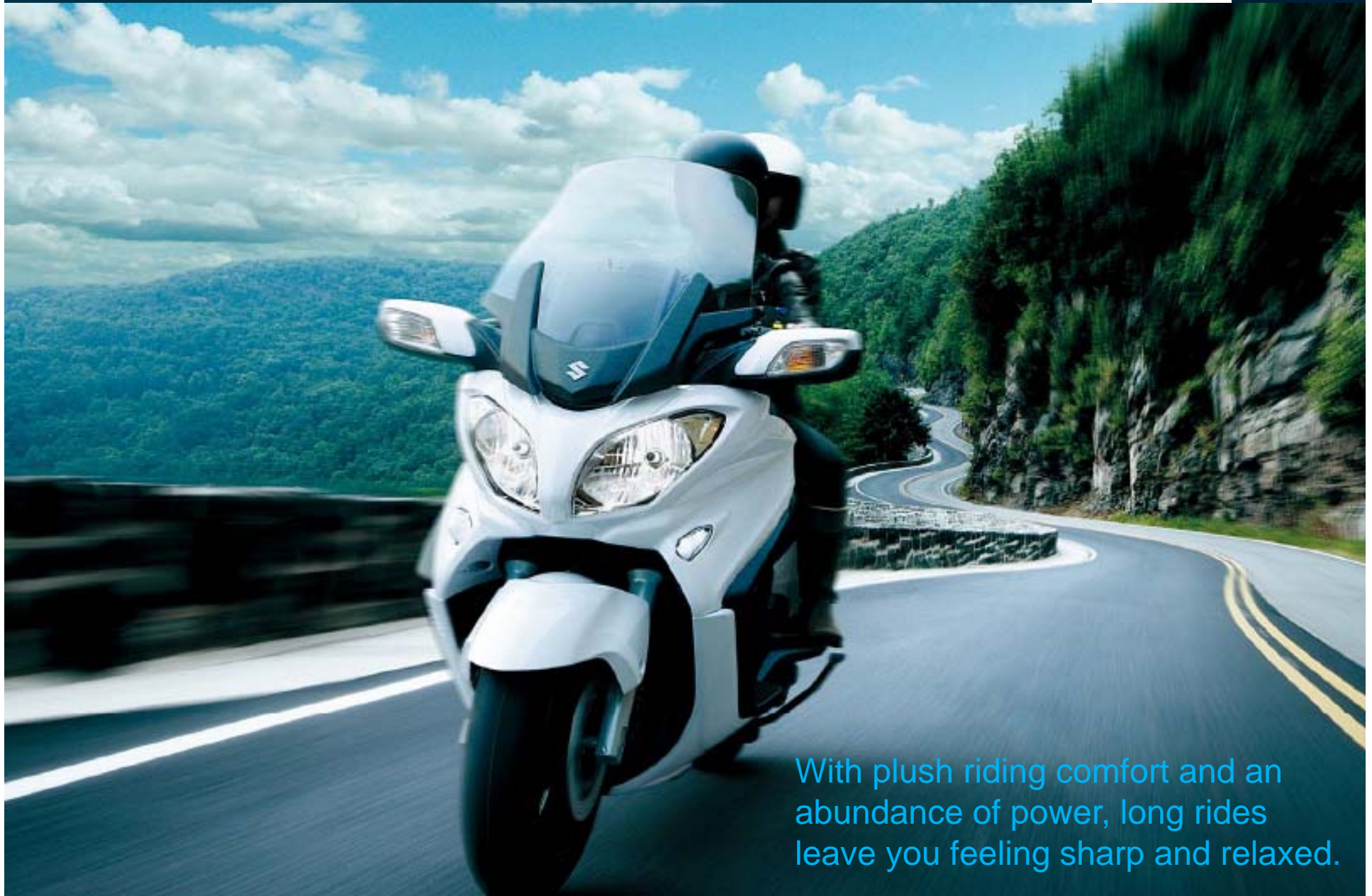
The Burgman 650 displays exquisite craftsmanship, smart technology and superior quality from any angle.



Power & Comfort



Way of Life!

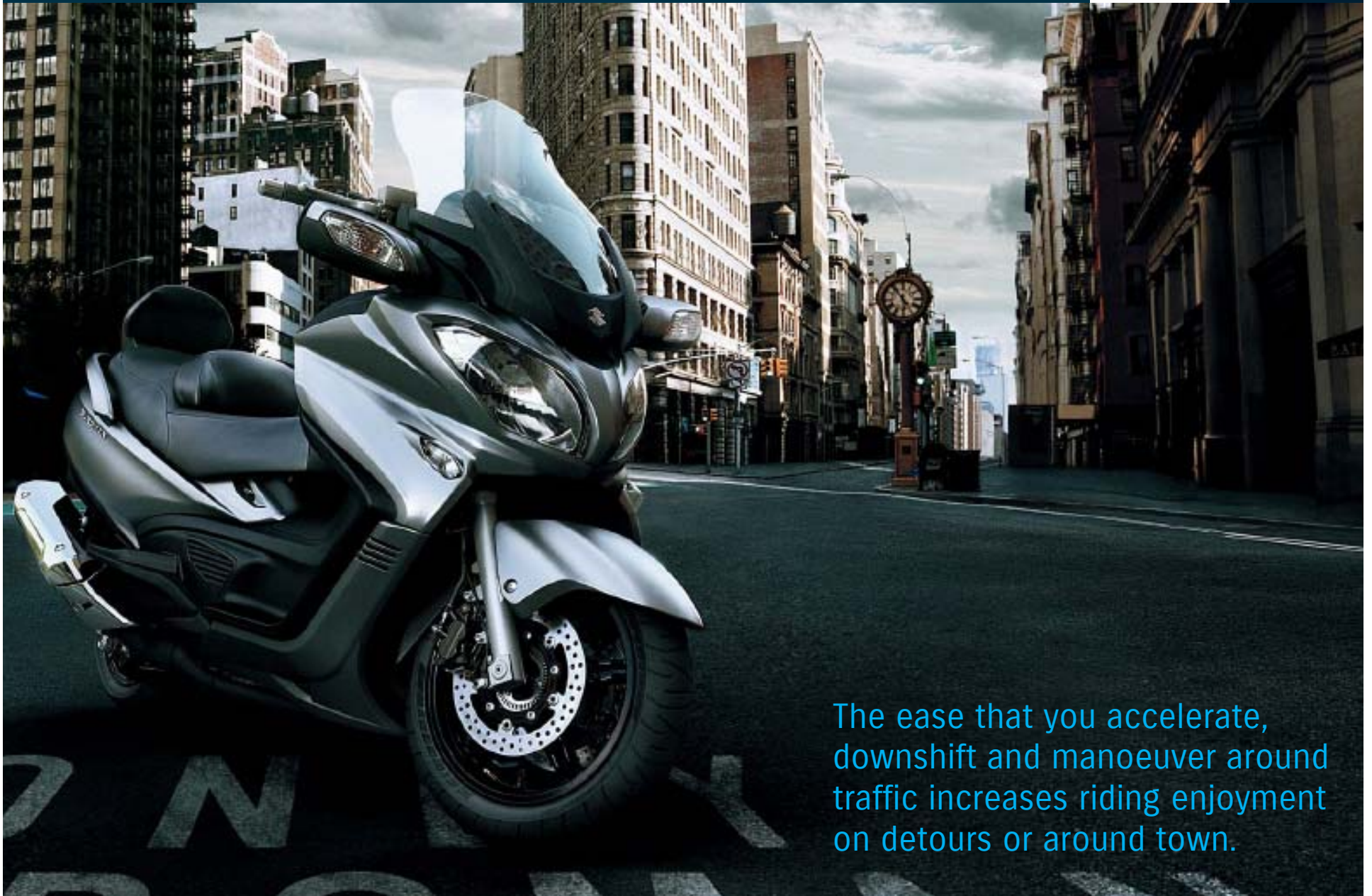


With plush riding comfort and an abundance of power, long rides leave you feeling sharp and relaxed.

Riding Enjoyment



Way of Life!



The ease that you accelerate, downshift and manoeuvre around traffic increases riding enjoyment on detours or around town.

Looking Sharp



Way of Life!

- Slim, sharply styled multi-reflector headlights
- LED position lights
- Mirror mounted turn signals



Rear Refinement



Way of Life!

- New sophisticated styling
- High visibility multi-reflector taillights



Refined Instrumentation & Controls



Way of Life!

- Instrumentation and controls have a refined clean look
- Understated shapes and colours
- Symmetrical appearance



Refined Instrumentation & Controls



Way of Life!

- Large analog speedometer and tachometer
- Information display with odometer, twin trip meters, fuel consumption, fuel level, clock, coolant temperature, thermometer, oil level, oil change reminder, drive mode, manual mode gear position and Eco Drive indicator

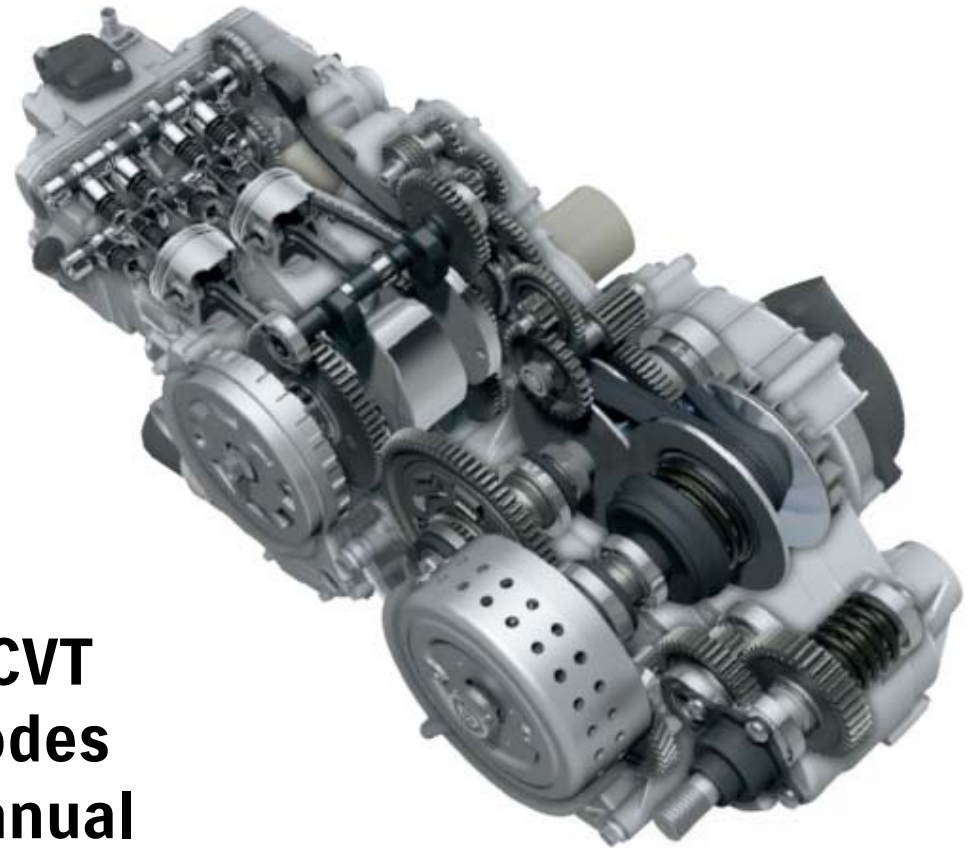


Engine & Transmission Features



Way of Life!

- High performance liquid cooled, DOHC, 8-valve 638 cc, parallel twin cylinder engine
- 360° crankshaft with dual counterbalancers
- Advanced fuel injection with P-AIR, catalyzer and O₂ feedback systems
- Electronically controlled CVT with 2 fully automatic modes (Drive and Power) and manual mode

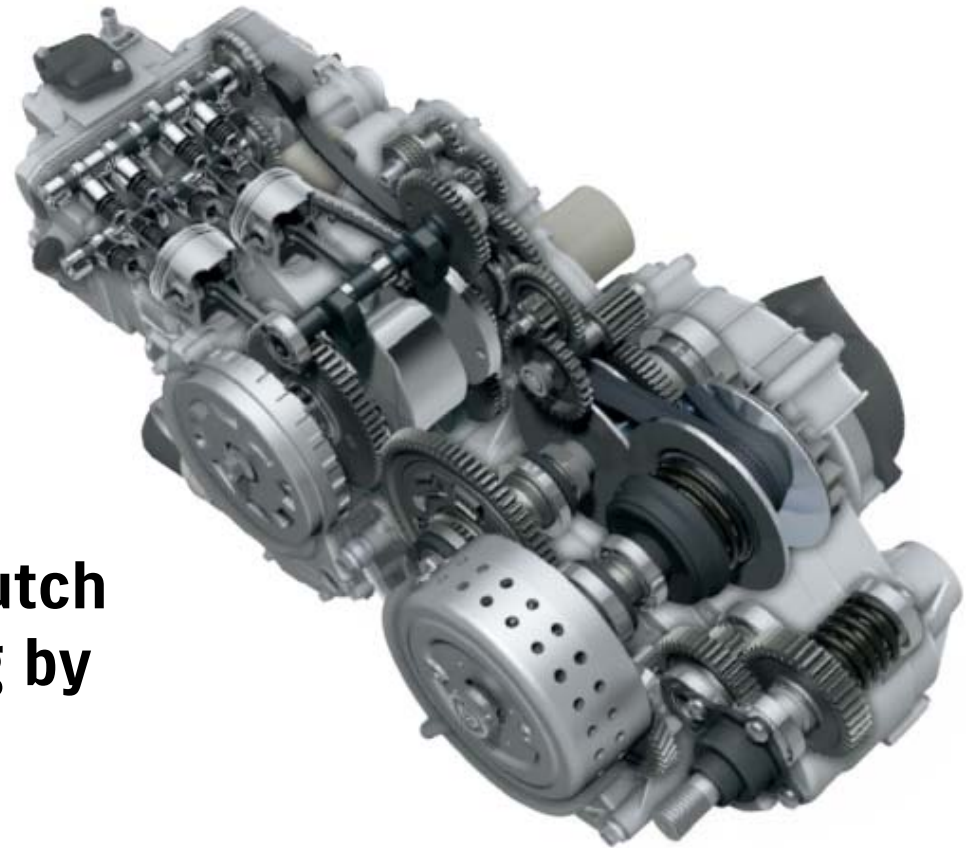


Engine & Transmission Refinements



Way of Life!

- **Refined transmission settings and reduced mechanical loss has reduced emissions and provided a 15% reduction in fuel consumption when in Drive mode.**
- **Updated CVT with new clutch plate design reduces drag by 35%**

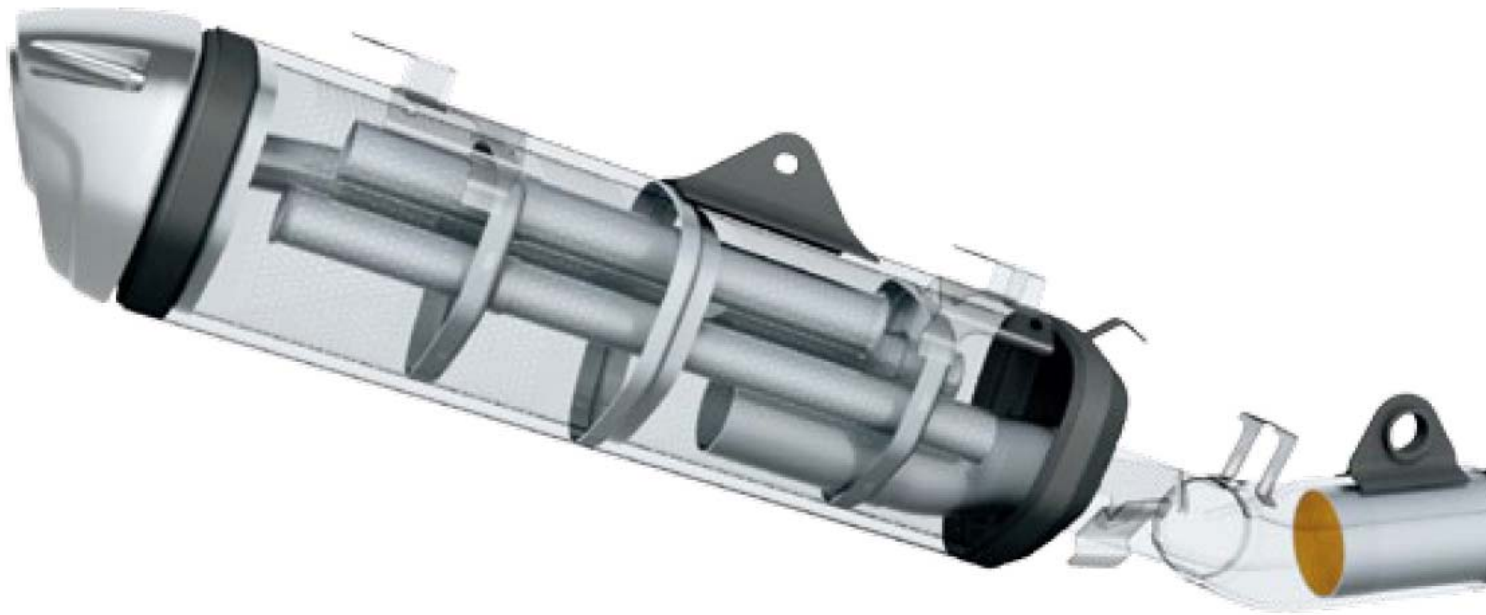


Sleek Exhaust System



Way of Life!

- New sleek looking exhaust system with triangle section muffler
- Engineered to keep emissions low with O2 sensor and catalyst

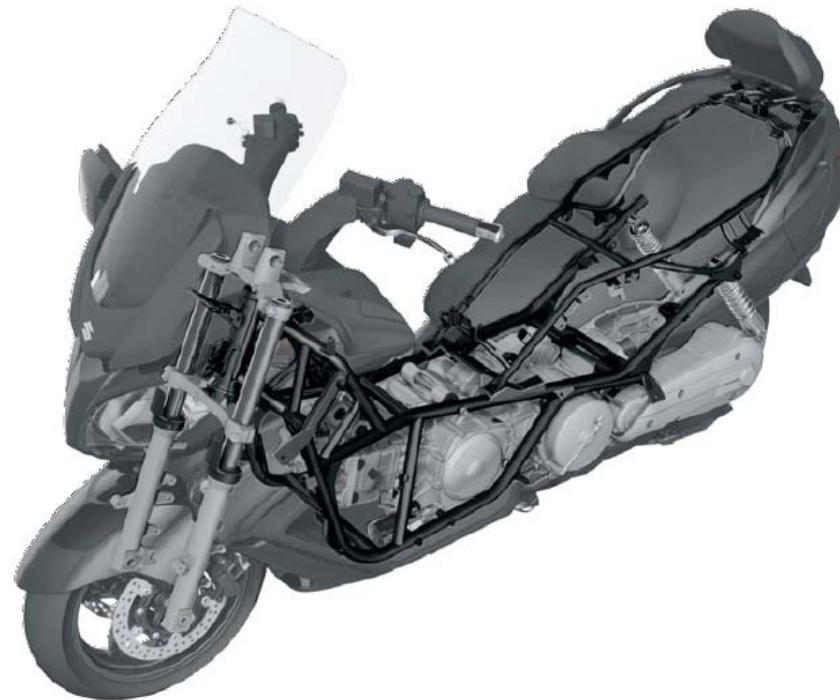


Balanced Engine/Chassis



Way of Life!

- Tubular steel frame and aluminum-alloy swingarm
- Engine and transmission positioned for balance and agility
- Long 1595 mm wheelbase from earlier Burgmans for a smooth controllable ride
- Sportier bodywork with slimmer tail section



Room for Everything



Way of Life!

- 50L illuminated underseat compartment
- Cable lock for securing helmets to outside
- Three compartments below the handlebars
- DC power outlet



Powered Convenience



Way of Life!

- **Windscreen shape provides great wind protection**
- **Electrically adjustable to match rider height**
- **Rear view mirrors can be retracted electrically for tight parking spaces**



Comfort



Way of Life!

- Optimuly sized and thickly padded seats for two-up riding comfort
- Adjustable rider backrest for added comfort
- Passenger backrest provides comfort and security



50 mm adjustable range



- Electric rider and passenger seat heaters
- Handlebar grip heaters



Switch located at front panel, near ignition switch



Switch located at left handlebar

Brakes



Way of Life!

- Updated front brake with dual floating discs
- Rear brake disc
- Parking brake lever relocated for convenient operation



- Antilock braking system maximizes rider control by preventing the wheels from locking when braking hard
- Weight of new ABS control unit reduced by 55%



Accessories



Way of Life!

- **47 L top case with backrest (remove existing backrest)**
- **Top case bracket and adaptor**
- **Pillion handle cover**
- **Side visor**
- **Chrome reflector rings**
- **Chrome side stand**
- **Chrome master cylinder cap**
- **Pillion handle hook**
- **Chrome front garnish**





Way of Life!

